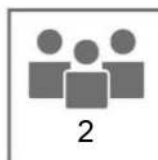


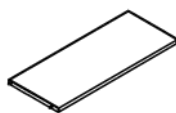











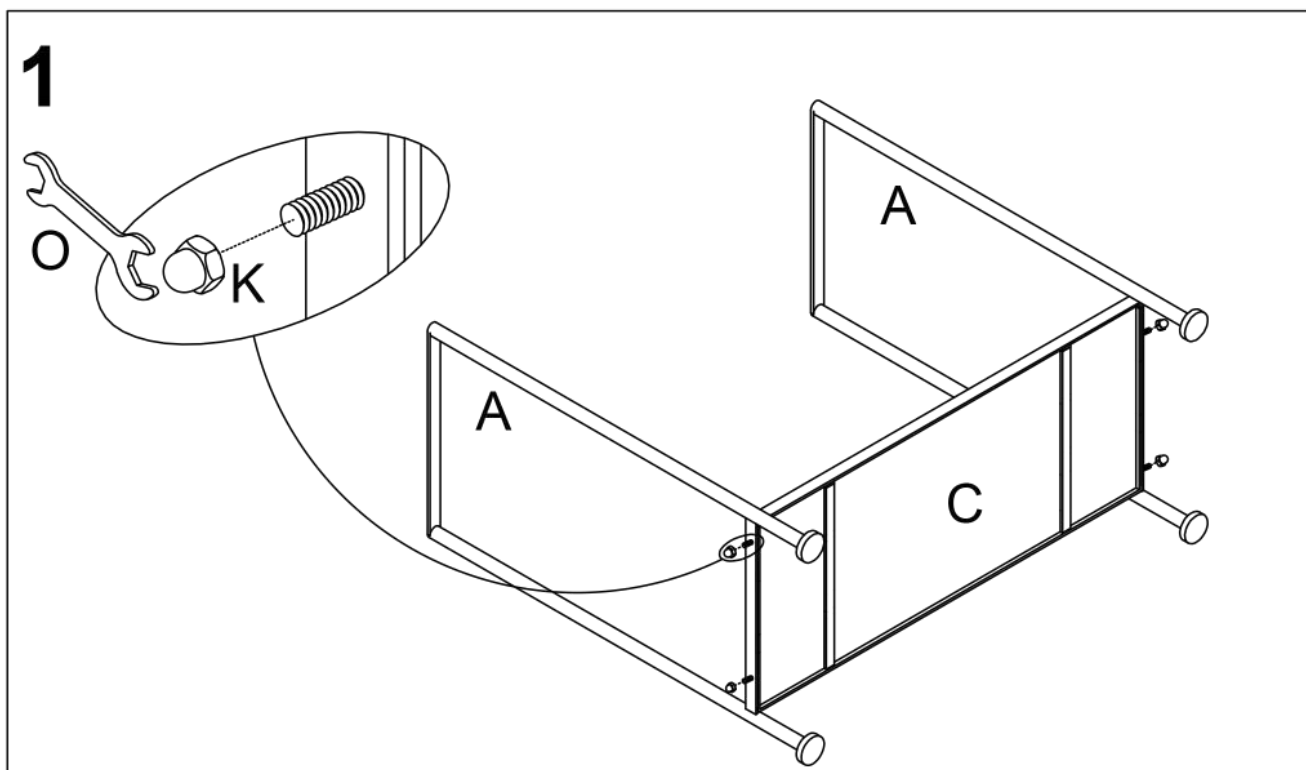


LOBERON

COMING HOME

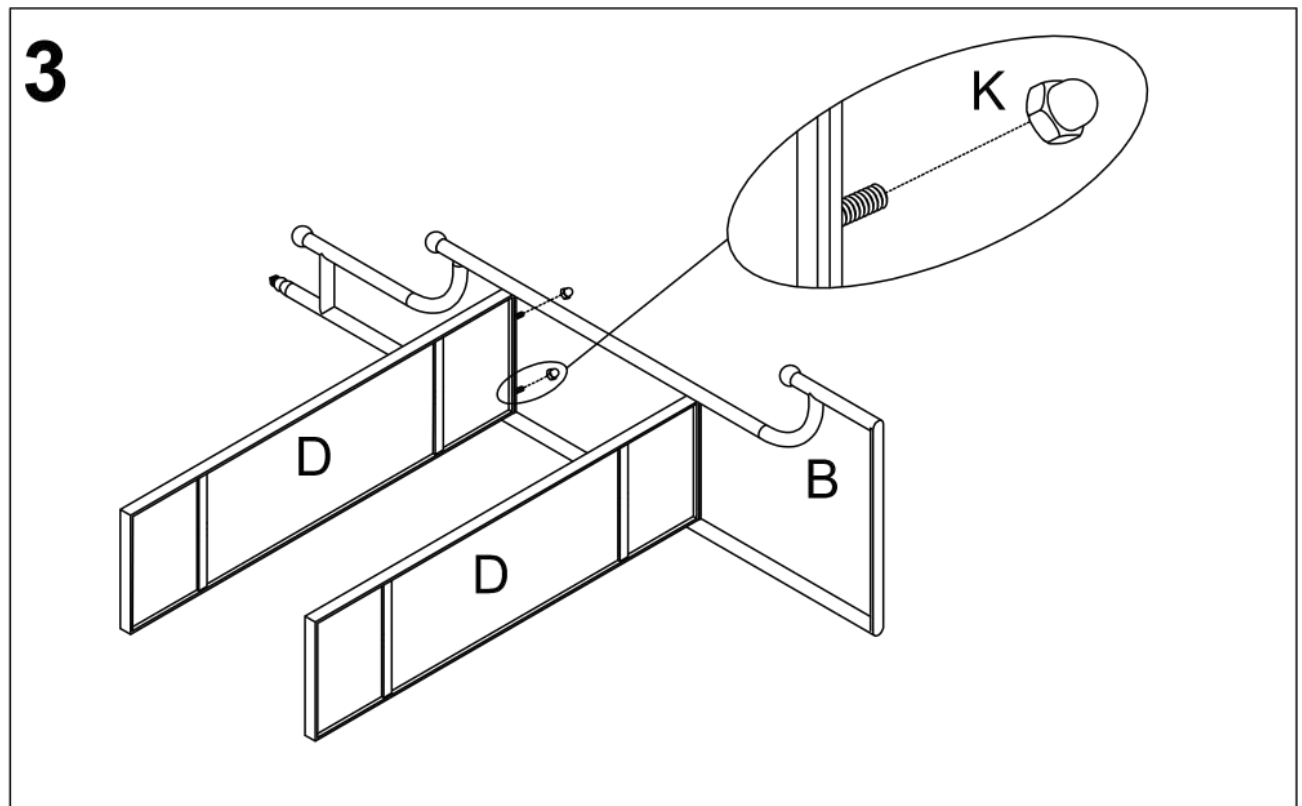
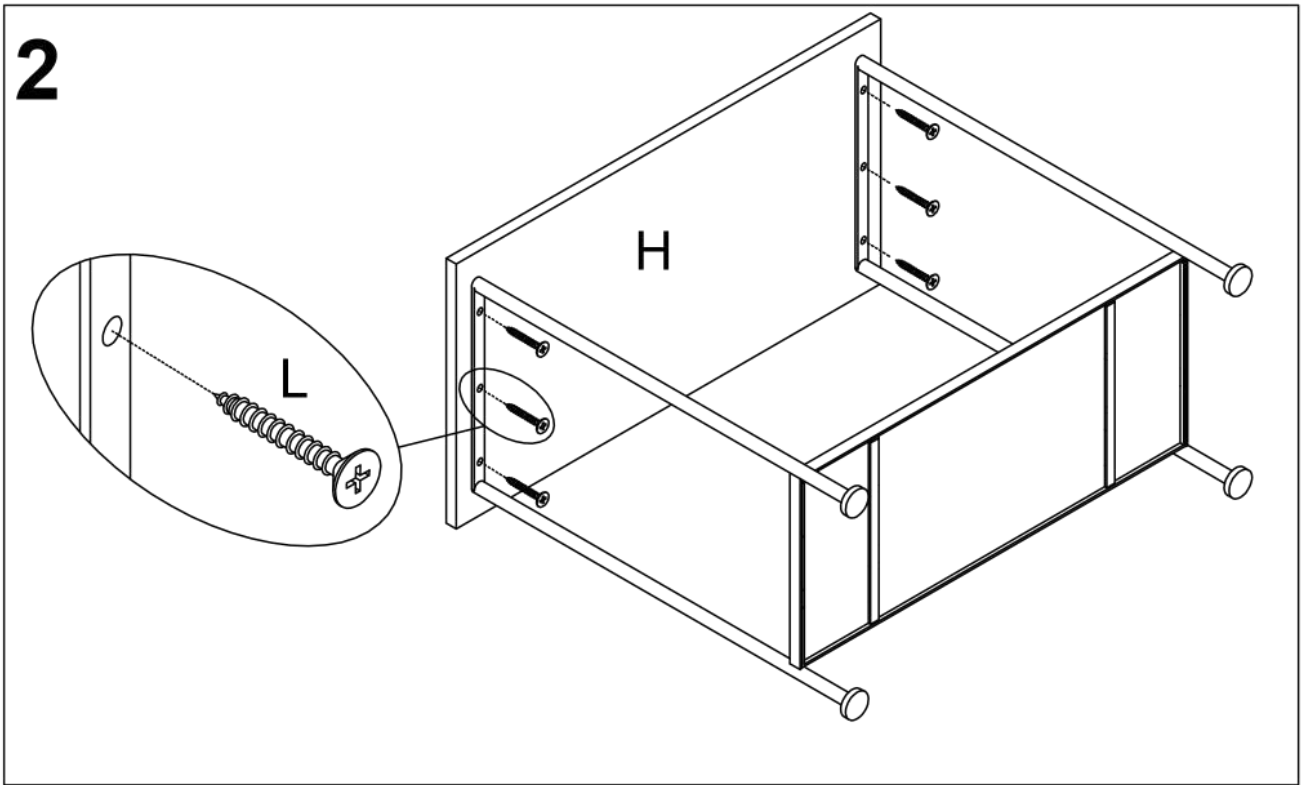


| | | | | | | | |
|---|---|--|---|--|---|---|---|
| AX2  | BX2  | CX1  | D X2  | E X1  | F X1  | | |
| GX1  | HX1  | I X8  M6*12 | JX2  M6*30 | KX12  M6 | LX12  M4*25 | MX1  | OX1  |



LOBERON

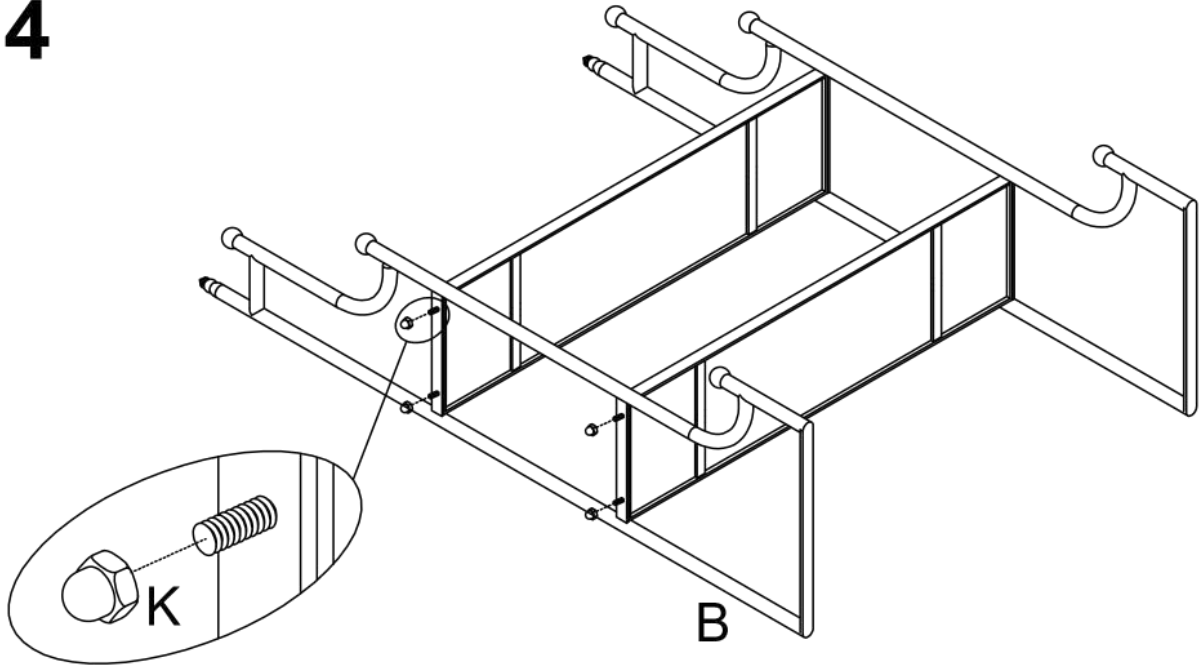
COMING HOME



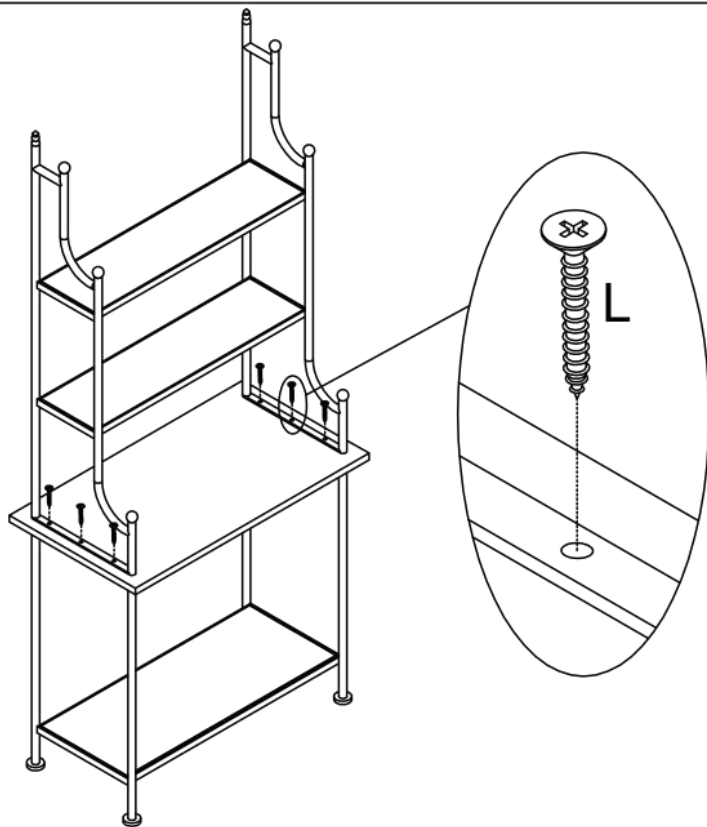
LOBERON

COMING HOME

4



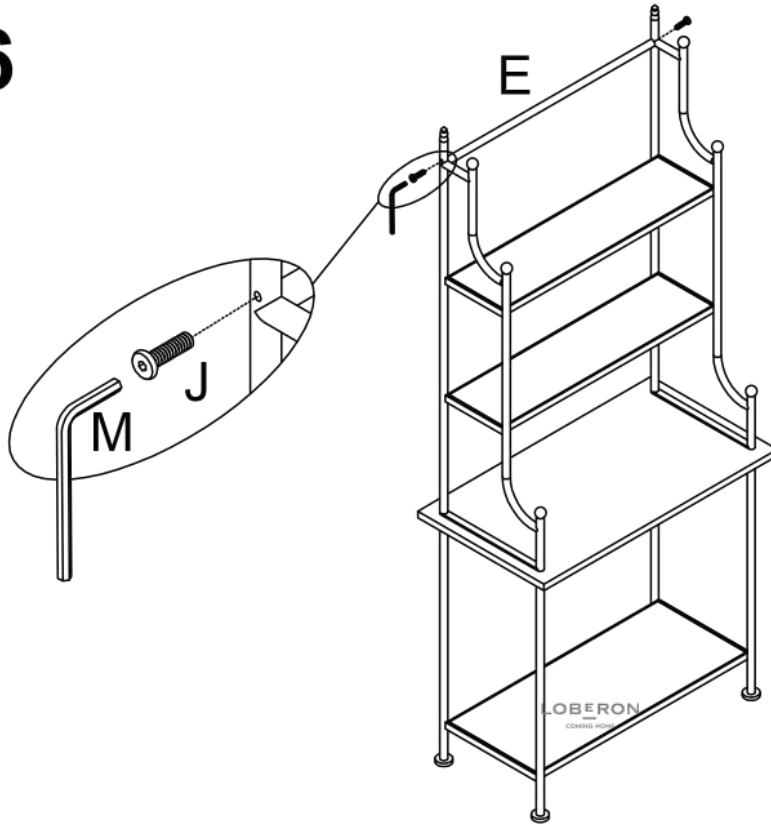
5



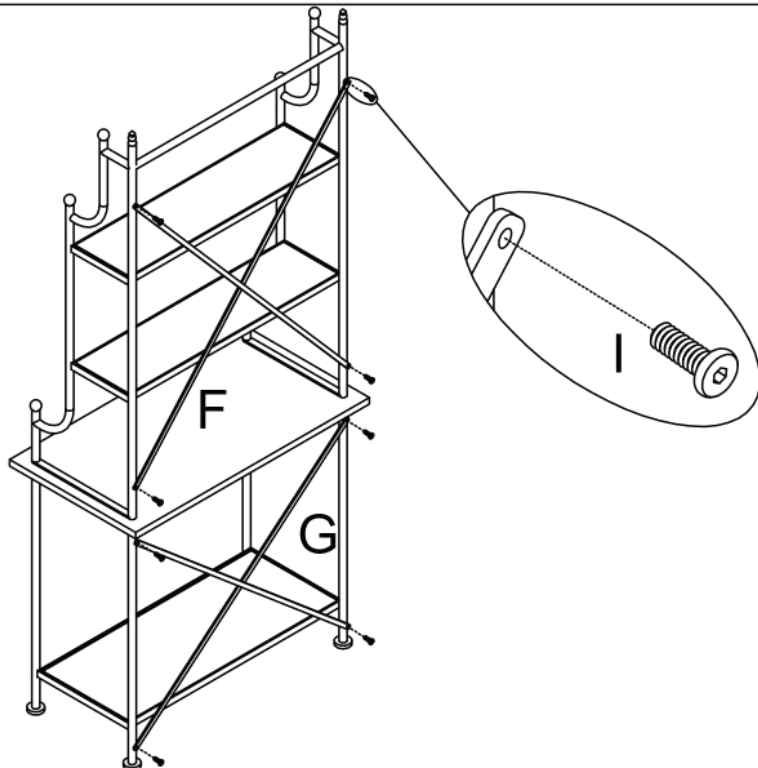
LOBERON

COMING HOME

6



7



LOBERON

COMING HOME

8

