

LOBERON

COMING HOME



Ax1	Bx1	Dx1	Ex1	Fx1	Gx1	Hx2	Ix10	Jx2	Kx12	Lx1
Cx1										
							$\phi 8 \times 15$	$\phi 8 \times 35$	$\phi 8$	$\phi 8$

1

2

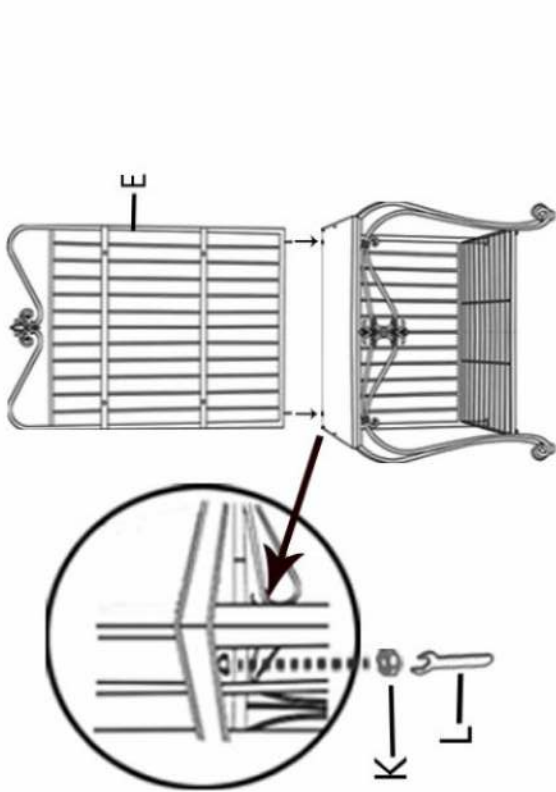
3



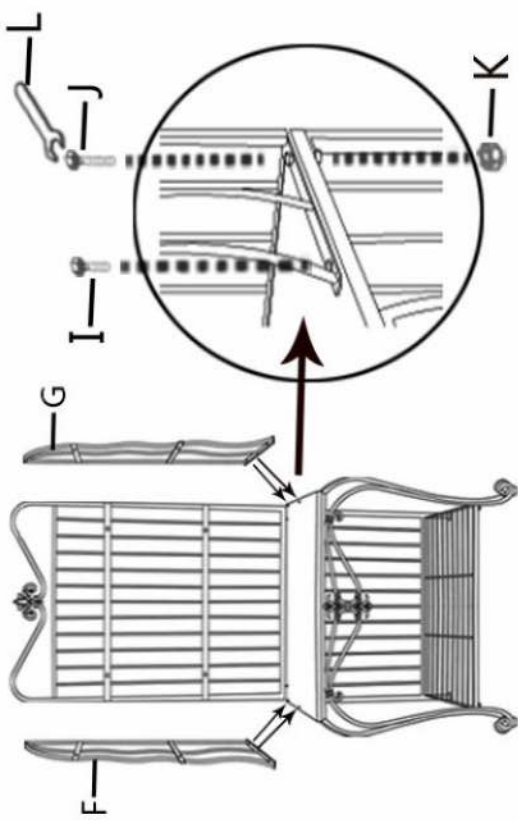
LOBERON

COMING HOME

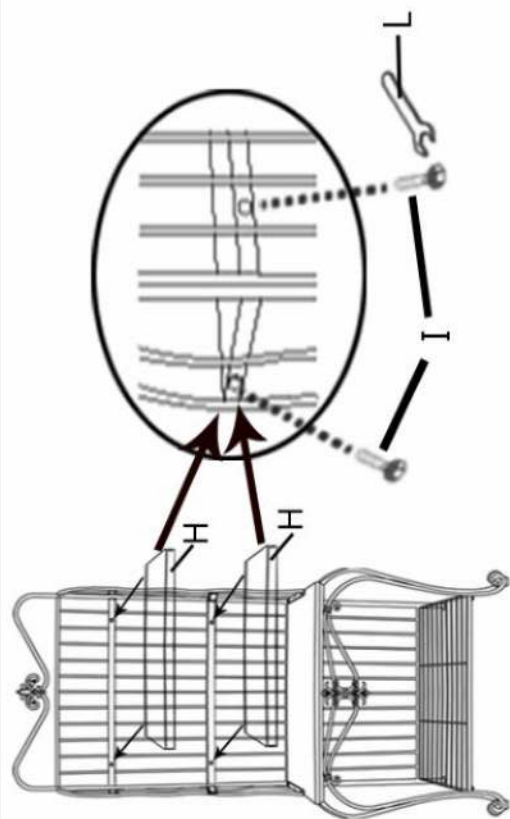
4



5



6



7

