

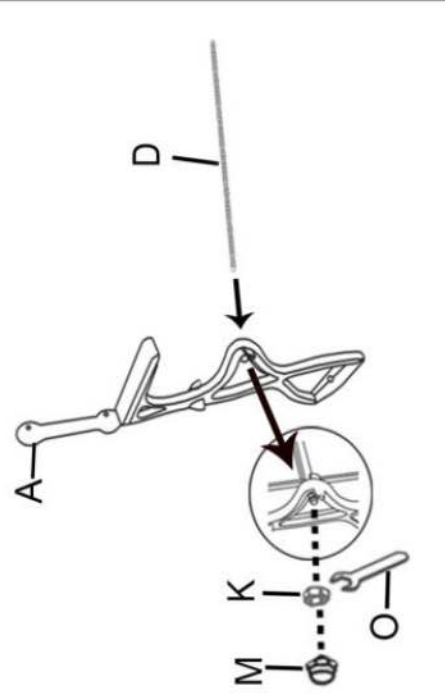
LOBERON

COMING HOME

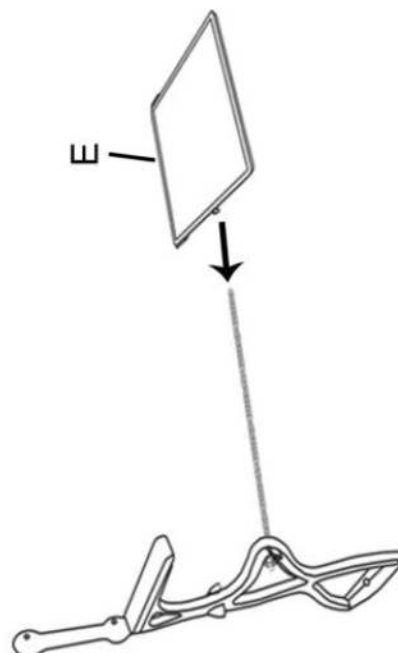


Ax1	Bx1	Cx1	Dx1	Ex2	Fx1	Gx1	Hx2	Ix4	Jx4	Kx2
						Lx3	Mx2	Nx8	Ox1	Px1
						$\phi 8 \times 80$	$\phi 10$	$\phi 8$	$\phi 10$	$\phi 8$

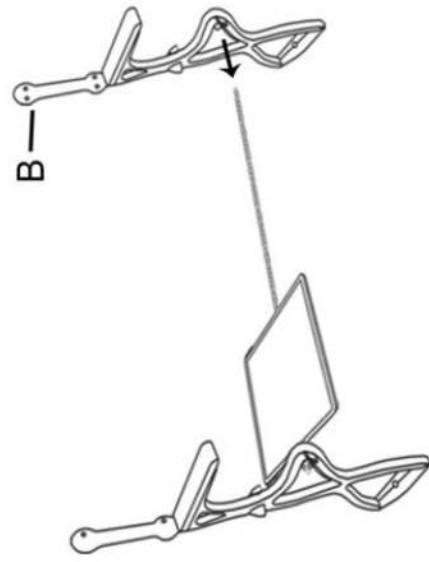
1



2



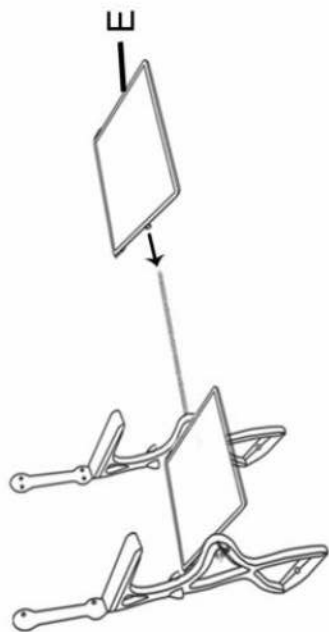
3



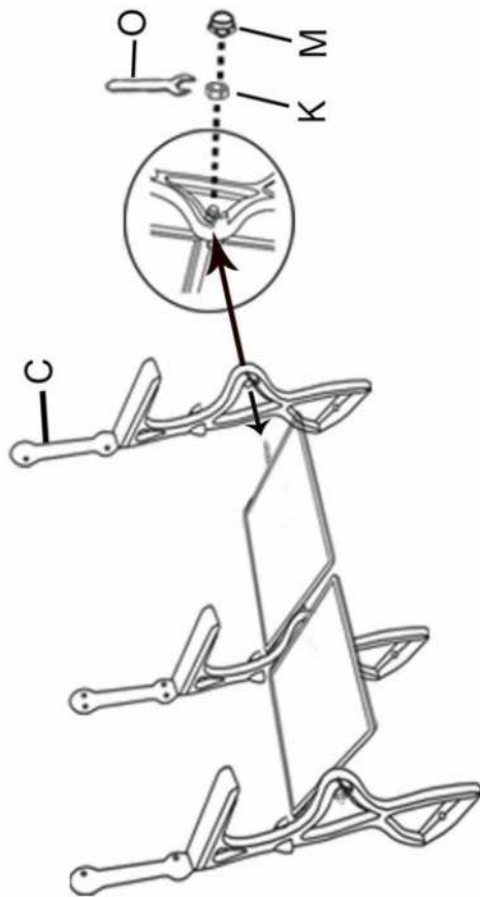
LOBERON

COMING HOME

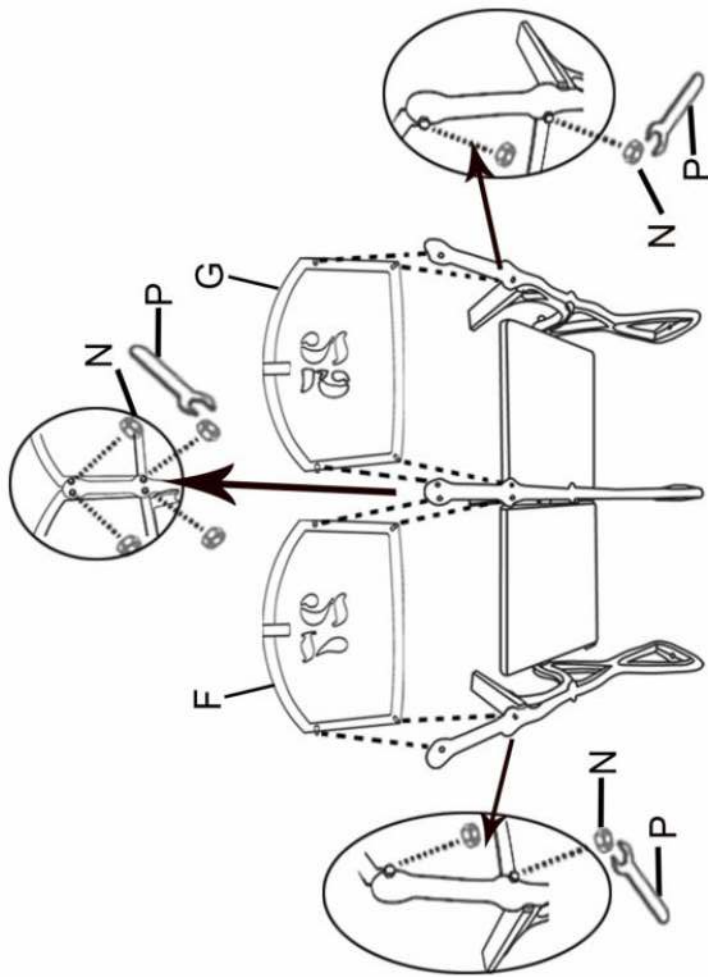
4



5



6



LOBERON

COMING HOME

